

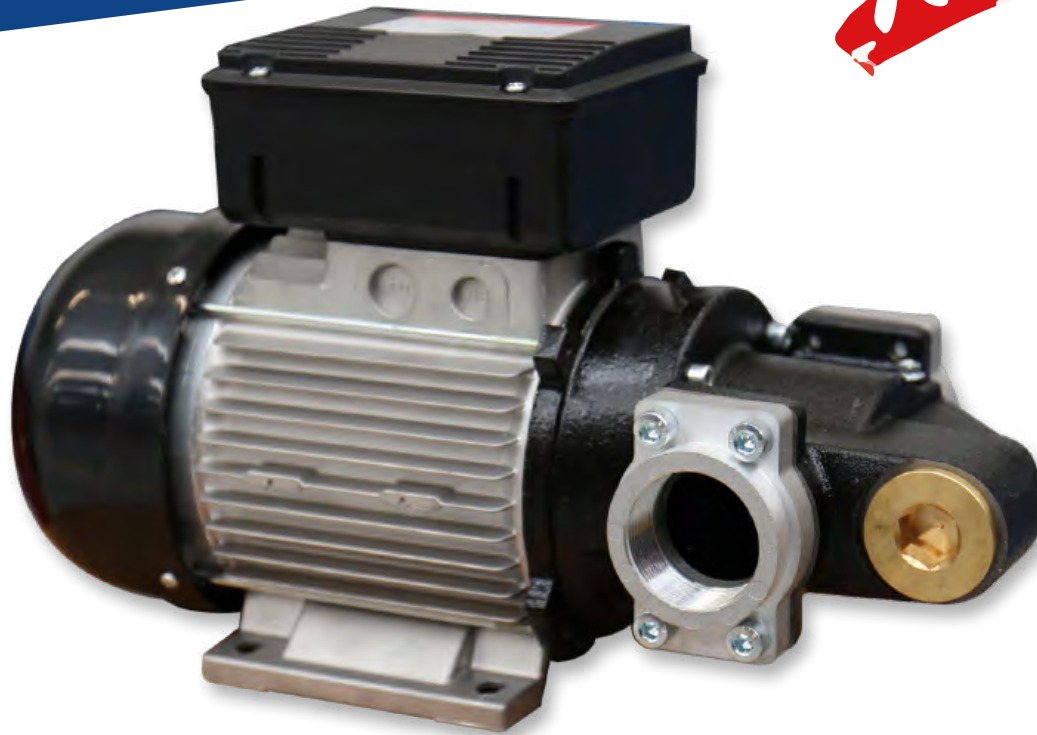


PA3 200

diesel electric pump

MADE
IN ITALY

NEW



Volumetric, self-priming, vane rotary pump
for diesel fuel transfer.



**200
LPM**

**Compact
Design**

**CONTINUOUS DUTY
tested**



Adam Pumps S.p.A
soc. con socio unico
via della Edoardo Amaldi, 6
46029 Suzzara (MN) - Italy



PA3 200 diesel electric pump

MADE
IN ITALY

NEW

Self-priming rotary vane volumetric pump for diesel transfer.

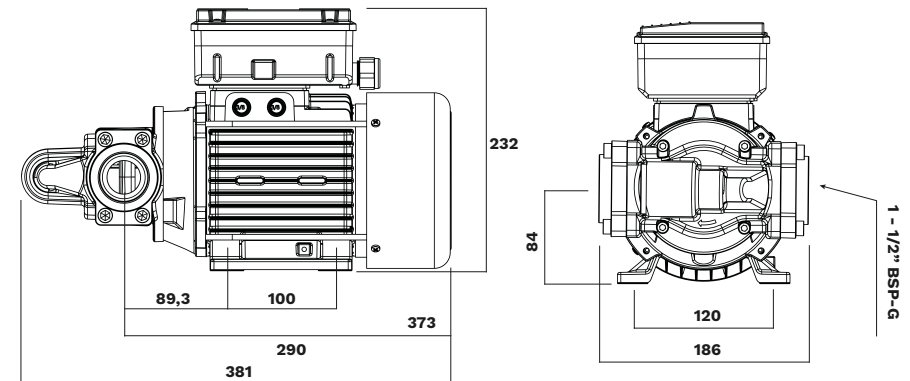
Versatile and suitable for various industrial sectors, including automotive, agriculture, transportation, and construction, both for storage transfer systems and portable applications.

It is equipped with a self-ventilated asynchronous induction electric motor, featuring IP55 protection rating, class F insulation, and thermal overload protection integrated into the winding. The compact cast iron structure with anti-corrosion coating, sintered steel impeller, and technopolymer vanes ensure reliability and long-lasting performance.

- Robust, compact, and reliable design
- Integrated bypass valve
- Tested for continuous operation
- High flow rate

TECHNICAL DATA

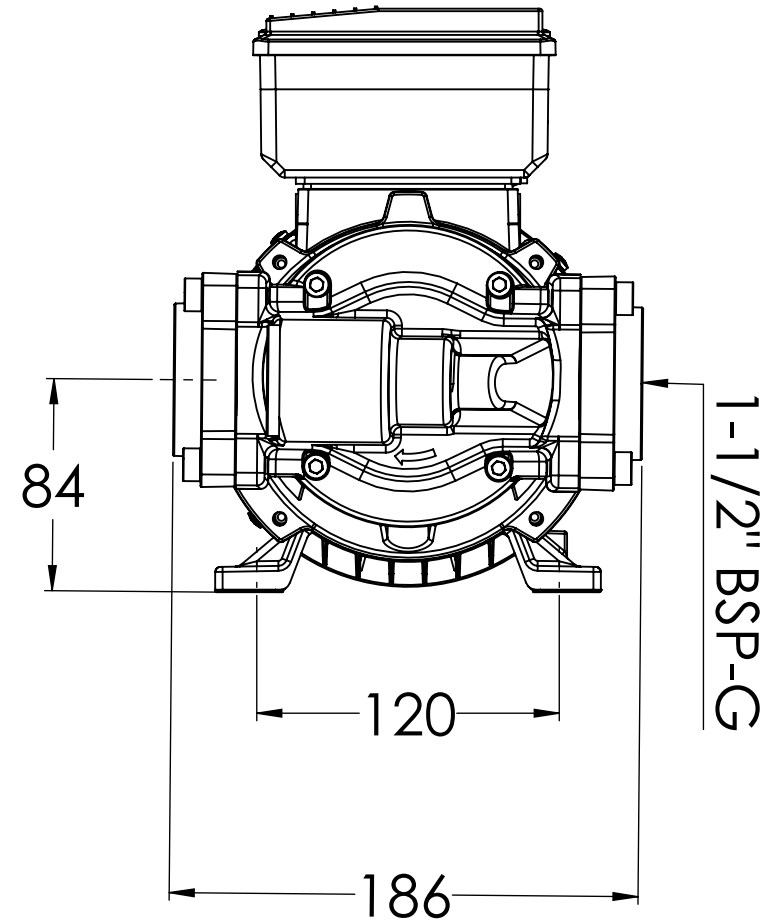
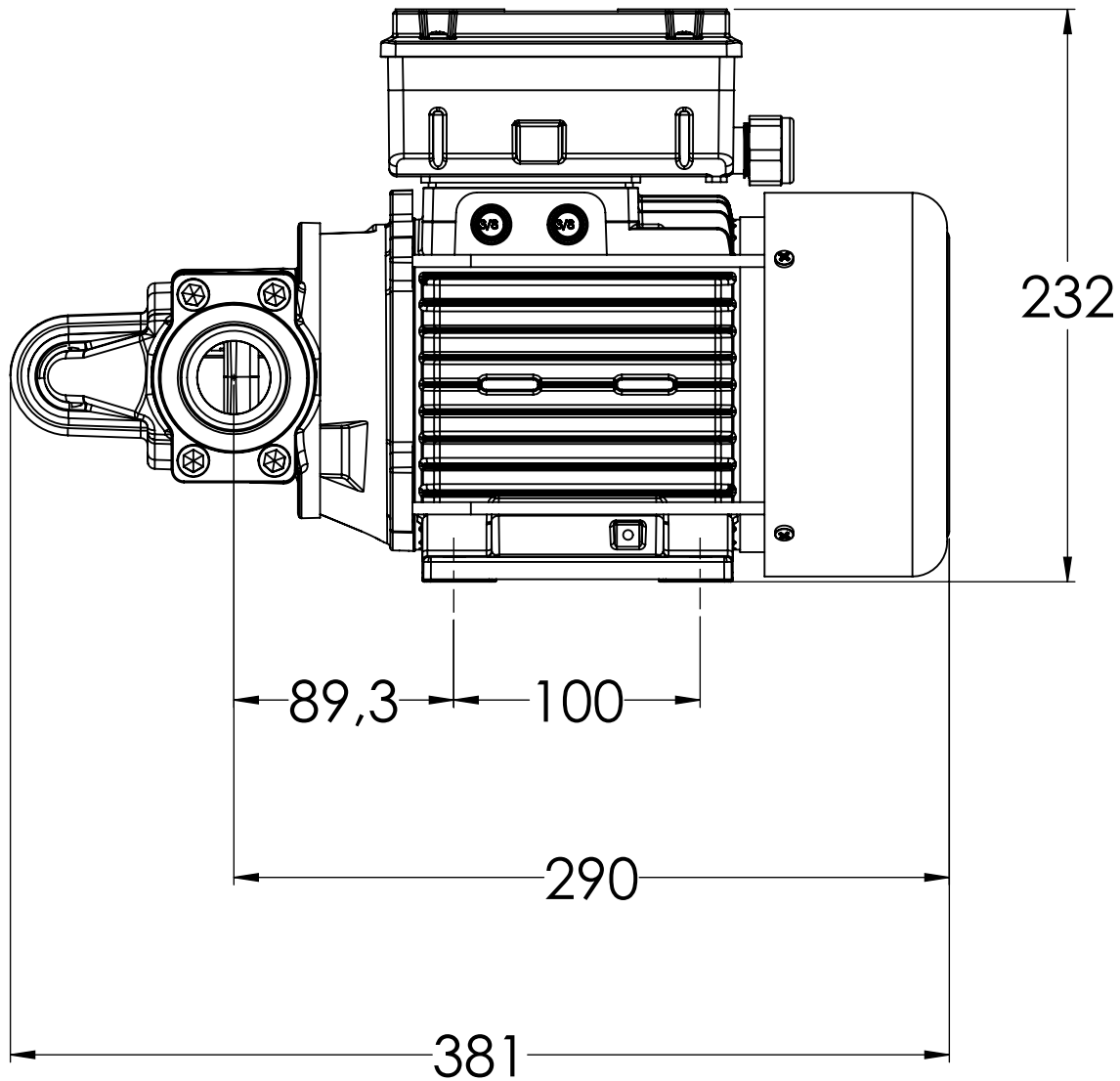
- Supply voltage [V]: single phase 230/240 - 50 Hz
- Max current [A]: 10
- Power [KW]: 2
- Flow rate [L/min]: 200
- Inlet/Outlet [BSPP]: 1- 1/2"
- Noise [dB]: 80
- Bypass pressure: 3 bar
- No power cable provided
- Flanges included



Adam Pumps S.p.A
soc. con socio unico
via della Edoardo Amaldi, 6
46029 Suzzara (MN) - Italy



PA3 200 230V 50Hz





PA1 - PA2 - PA3



DIESEL

PA1 70



PA2 80-100



PA3 150



PA3 200

CARATTERISTICHE / FEATURES	PA1 70	PA2 80	PA2 100	PA3 150	PA3 200
Voltaggio - Voltage AC [V, Hz]	230, 50/60	230, 50	230, 50/60	230, 50	230, 50
Corrente max - Max Current [A]	2,9/3,5	4,1	4,5/5	14,5	10
Potenza - Power [W]	550/650	750	805/900	3300	2000
Protezione motore - Motor protection	IP55	IP55	IP55	IP55	IP55
Interruttore On/Off - On/Off Switch	sì - Yes	sì - Yes	sì - Yes	sì - Yes	-
Cavo - Cable [m]	2	2	2	2	-
Ciclo di lavoro - Duty Cycle [min]	S1 continuo/Continuous	S1 continuo/Continuous	S1 continuo/Continuous	S2 30	S2 60
Portata max - Max Flow Rate [l/min]	70	80	100	150	200
Pressione max - Max pressure [bar]	2	2.5	2.5	2.5	3
Altezza aspirazione a secco Dry suction Height [m]	2	2	2	2	2
Valvola by-pass interna - Internal By-pass Valve	sì - Yes	sì - Yes	sì - Yes	sì - Yes	sì - Yes
Inlet [BSPP]	1"	1"	1"	1"	1 - 1/2"
Outlet [BSPP]	1"	1"	1"	1"	1 - 1/2"
Materiale corpo pompa Pump body material	ghisa - Cast Iron	ghisa - Cast Iron	ghisa - Cast Iron	ghisa - Cast Iron	ghisa - Cast Iron
Materiale girante - Impeller Material	acciaio sint./ Sintered steel	acciaio sint./ Sintered steel	acciaio sint./ Sintered steel	acciaio sint./ Sintered steel	acciaio sint./ Sintered steel
Materiale palette - Vane Material	POM	POM	POM	POM	POM
Materiale anello di tenuta Seal Ring Material	NBR	VITON	VITON	VITON	VITON
Materiale guarnizioni - Gasket Material	NBR	NBR	NBR	NBR	NBR
Filtro interno - Internal Filter	sì - Yes	sì - Yes	sì - Yes	sì - Yes	-
Supporto motore - Motor Support	sì - Yes	sì - Yes	sì - Yes	sì - Yes	sì - Yes
Temperatura min/max - Min/Max Temperature [°C]	-20/+50	-20/+50	-20/+50	-20/+50	-20/+50
Viscosità fluido max Max Fluid Viscosity [cSt] (a 40 °C):	2 ÷ 5	2 ÷ 5	2 ÷ 5	2 ÷ 5	2 ÷ 5
Fluidi compatibili - Compatible Fluids	diesel	diesel	diesel	diesel	diesel
Fluidi non compatibili Non Compatible Fluids	gas, alcool, acqua, benzina, kerosene - gas, alcohol, water, gasoline, kerosene				
Rumorosità a 1 mt - Noise Level at 1m [dB]	< 70	85	85	< 90	< 80
Peso netto - Net Weight [kg]	8	13	13	16	18
Peso lordo con imballaggio Gross Weight With packaging [kg]	8,5	13,5	13,5	16,5	19